



ROLLER
HINGES



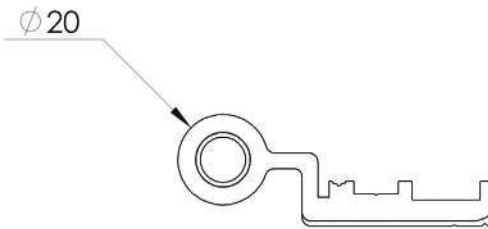
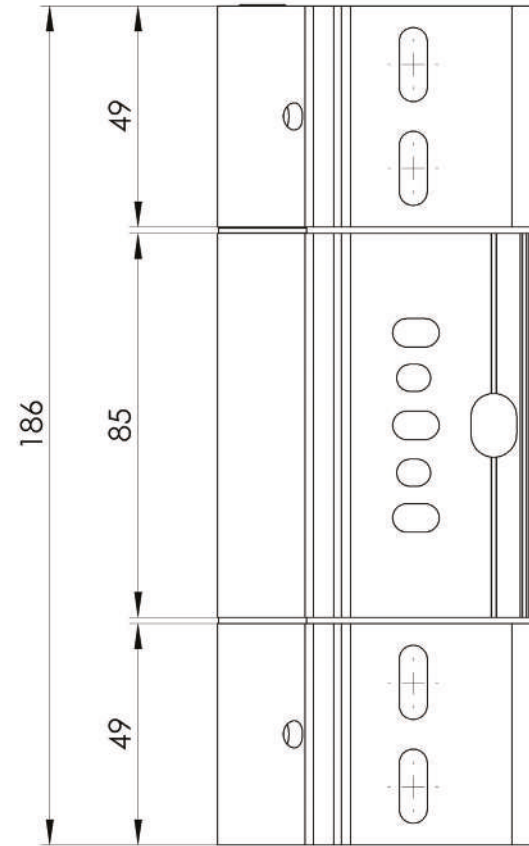


ROLLER
HINGE
WR



ROLLER HINGES WR

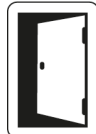
- | | | | |
|--|------------------|---|-----------------|
|  | 7016 |  | 7021 |
|  | 7024 |  | 9005 |
|  | 8077 |  | 8019 |
|  | 8017 |  | 8003 |
|  | 9001 |  | 1036W |
|  | 9010 |  | 9016 |
|  | 7035 |  | 9006 |
|  | ANODE
NATURAL |  | INOX
COATING |
|  | RAL | | |
|  | GOLDEN OAK |  | WALNUT |



ROLLE HINGES WR

FOR USE IN FIRE DOOR AND EMERGENCY EXIT DOOR

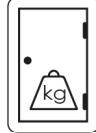
WR HINAGE CLASSIFICATION
EN 1935:2002 + EN 1935:2002/AC:2003



4/4 - SERVICE CLESSES



7/7 - DURABILITY



7/7 - WEIGHT OF TEST DOOR



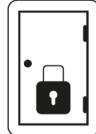
1/1 - FIRE RESISTANCE



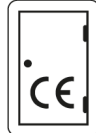
1/1 - SECURITY



4/4 - CORROSION RESISTANCE



1/1 - INTRUSION PROTECTION



14/14 - HINGE CLASS



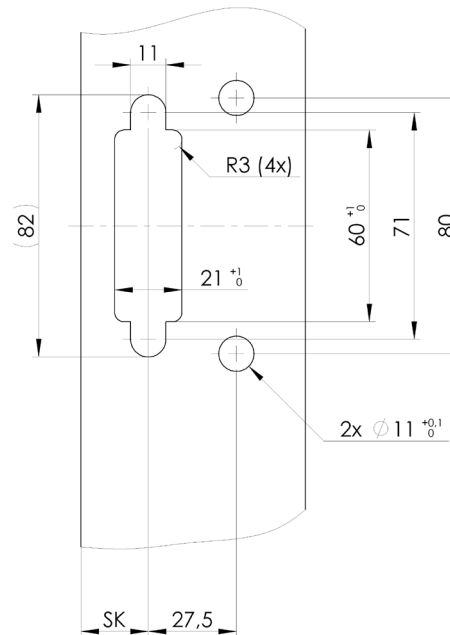
ROLLER HINGES WR

ADS

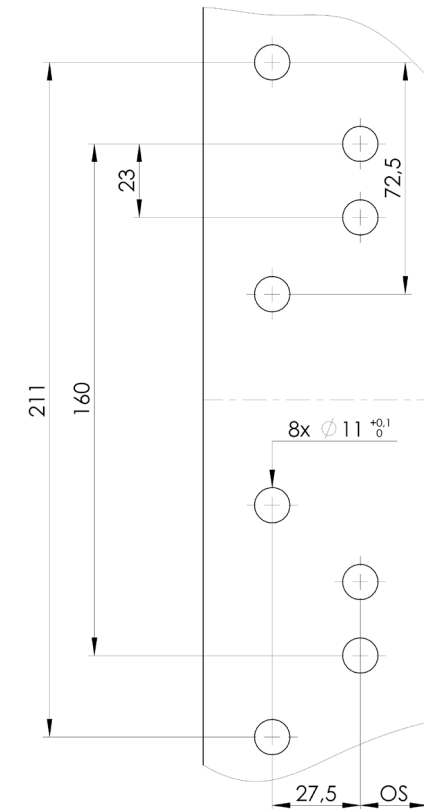
The hinge is also available with cover made of 304 stainless steel, that works best with anodized wings. External dimension of the cover: $\text{Ø}22,5$ mm.



LASH PROFILE PROCESSING



FRAME PROFILE PROCESSING



LOAD SELECTION WR

If the distance between hinges in the middle of a door exceeds 1500mm, we suggest using additional hinge which caulks the door.



Private building



Door closer



Public building

W S	700	800	900	1000	1100	1200	1300	1400		
2000	120				111	107	103	99		
2100					116	111	107	103		
2200					120		116	111	107	
2300							116	111		
2400					120		116	111		
2500							116	111		
2600					120		120		116	
2700									116	
2800					120		120		120	
2900										
3000	120		120		120					

W S	700	800	900	1000	1100	1200	1300	1400		
2000	100				91	87	83	79		
2100					96	91	87	83		
2200					100		96	91	87	
2300							96	91		
2400					100		96	91		
2500							96	91		
2600					100		100		96	
2700									96	
2800					100		100		100	
2900										
3000	100		100		100					

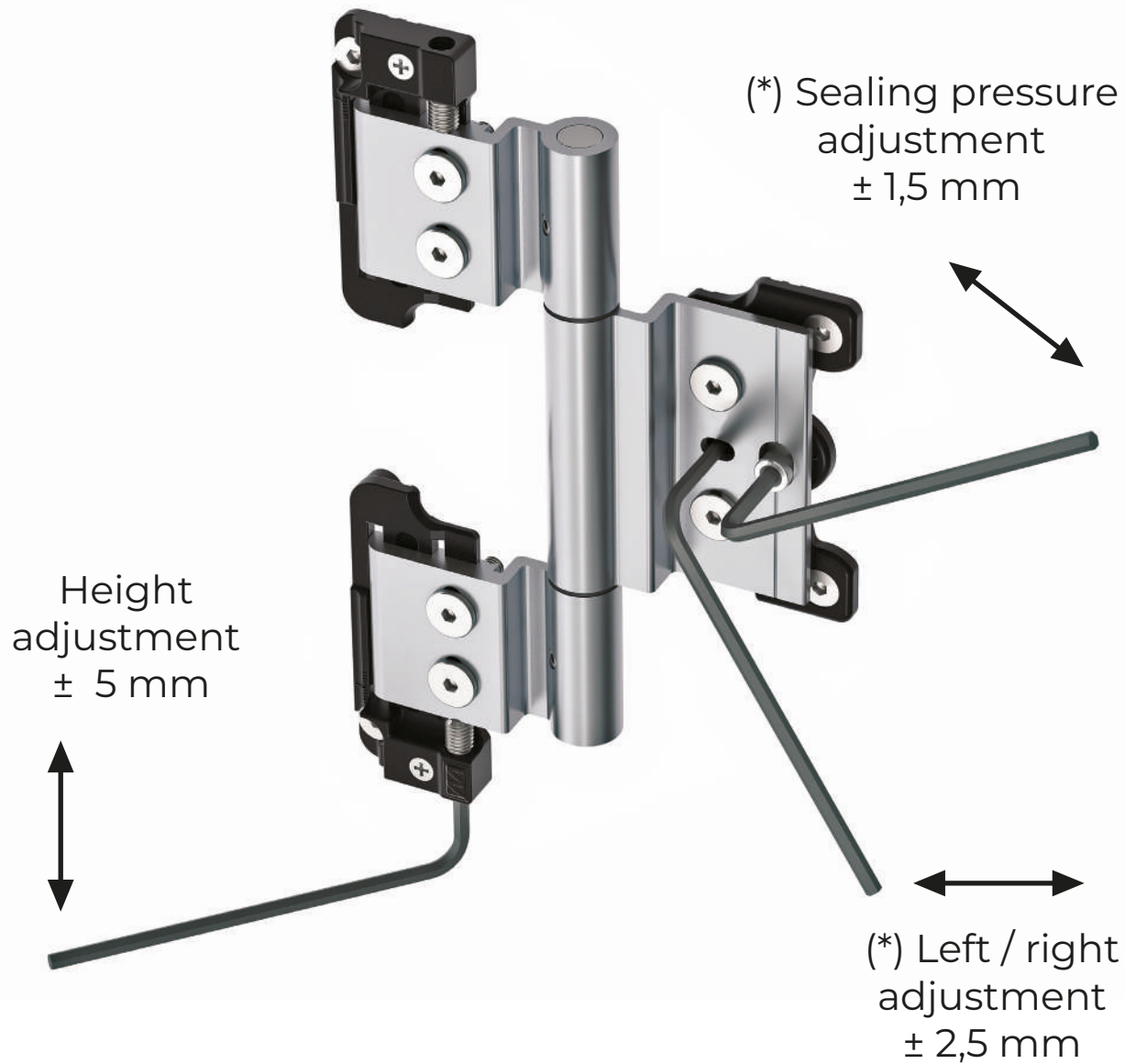
W S	700	800	900	1000	1100	1200	1300	1400		
2000	180				170	165	155	150		
2100					175	170	165	155		
2200					180		175	170	160	
2300							175	170		
2400					180		180		170	
2500									175	
2600					180		180		180	
2700										
2800					180		180		180	
2900										
3000	180		180		180					

W S	700	800	900	1000	1100	1200	1300	1400		
2000	120				110	105	95	90		
2100					115	110	105	95		
2200					120		115	110	100	
2300							115	110		
2400					120		115	110		
2500							115	110		
2600					120		120		115	
2700									115	
2800					120		120		120	
2900										
3000	120		120		120					

W S	700	800	900	1000	1100	1200	1300	1400		
2000	150				140	135	125	120		
2100					145	140	135	125		
2200					150		145	140	130	
2300							145	140		
2400					150		145	140		
2500							145	140		
2600					150		150		145	
2700									145	
2800					150		150		150	
2900										
3000	150		150		150					



ADJUSTMENT FOR ROLLER HINGES WR



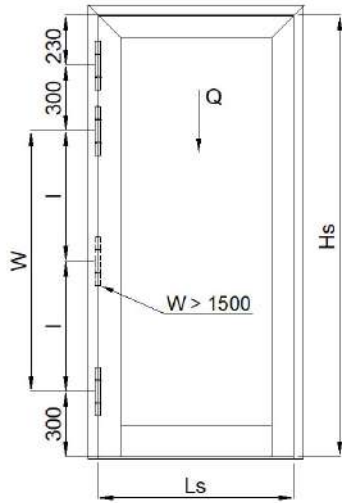
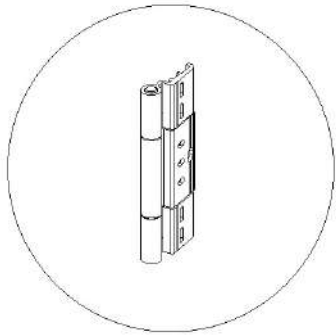
Full adjustment range of the gap (left/right) in negative direction for most aluminium systems can be achieved by milling the door profile and covering it with the mask.



(*) – adjustment in the negative direction can be very limited depending on aluminium system



PATTERNS FOR DRILLING WR



	LASH PROFILE	LASH PROFILE	FRAME PROFILE	DYSTANSES
WR				





WALA Sp. z o.o.
ul. Parkowa 16
43-365 Wilkowice

wala@wala.pl
tel. +48 33 82 72 390
kom. +48 725 70 80 30
www.wala.pl

